

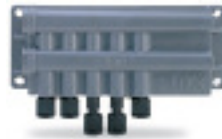
# MDH-302 • MDH-402 Beverage Dispensers with Icepic Integrated Ice Crusher



**Servend.**



MDH-302



Servend's  
Flexible  
Beverage  
Manifold



MDH-402

Industry's first built-in ice crusher provides two types of ice from a single ice maker/ice dispenser combination.

Increased beverage cooling efficiency vs. nugget-style ice.

**Saves:**

25% on equipment acquisitions,  
30% on equipment installation, and  
45% on maintenance.

- MDH-302 or 402 provides two ice dispense points with maximum flavor selection in one ice and beverage dispenser.
- Servend's patented Flex manifold makes carbonated or non-carbonated flavor changes possible in minutes. Great for seasonal promotions!
- 300 or 400 lbs. (136 or 181 kgs.) of ice storage.
- Three merchandisers available - 12" (30.48 cm), 24" (60.96 cm) and 34" (86.36 cm) tall - to create a beverage focal point.
- Patented rocking chute ice dispense technology reduces ice spillage.



ISO 9001:2000  
Quality System Certified

**Leader in Ice & Beverage Dispensers**

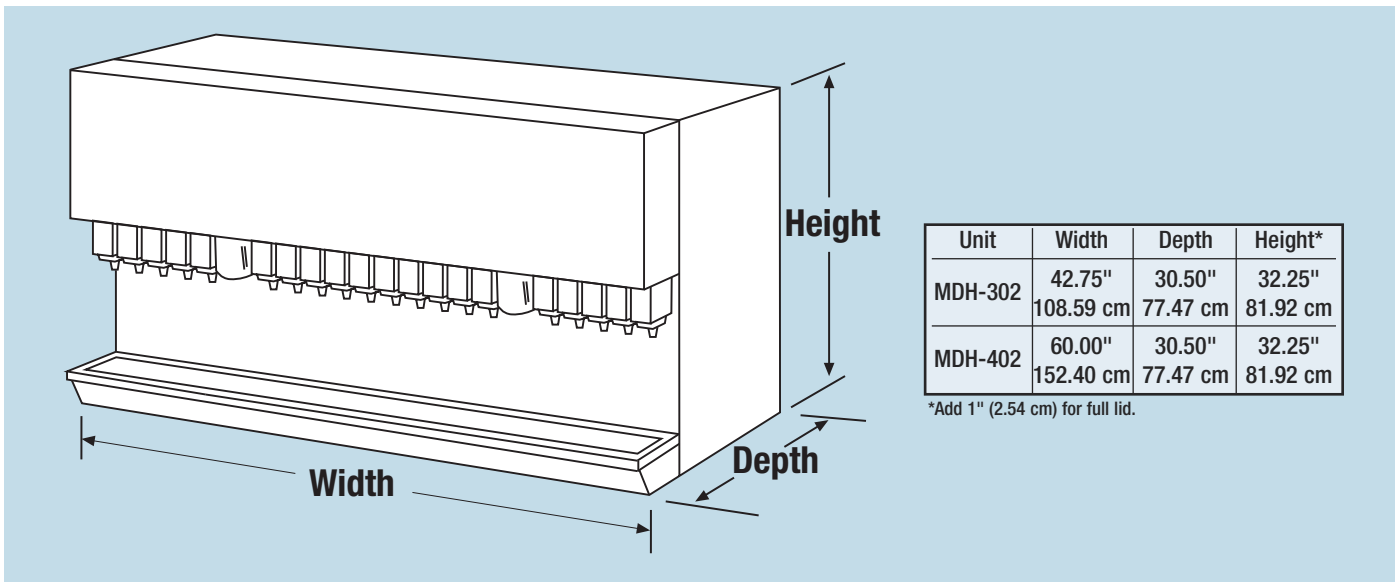
Countertop Ice/Bev • Drop-in • Countertop Electric  
Undercounter • Beverage Towers • Ice Chests

**Manitowoc**

# MDH-302/402 Beverage Dispensers with Integrated Ice Crusher

## Specifications

	MDH-302	MDH-402
<b>Standard Features</b>	Left side ice crusher, key switch, drain kits, 12" tall lighted merchandiser, timed agitation, Flomatic 424 beverage valves	
<b>Shipping Weights</b>	448 lbs. / 203 kgs.	543 lbs. / 246 kgs.
<b>Countertop Weight (w/o ice)</b>	397 lbs. / 180 kgs.	481 lbs. / 218 kgs.
<b>Ice Storage Capacity</b>	Up to 300 lbs. / 136 kgs.	Up to 400 lbs. / 182 kgs.
<b>Electrical Requirements</b>	Dispenser: 120V/60Hz/5.4FLA	
<b>Drain</b>	Two 3/4" (1.91 cm) PVC (N.P.T.) drain fittings extend from drain pan. Ice bin drains directly into drain pan for front clean out, no hook up necessary.	
<b>Ice Machine Compatibility</b>	<b>Performance optimized with Manitowoc half-dice cube size.</b> Top-mount with Manitowoc half-dice size ice cube machine or manual fill with hard cubed ice 3/8" x 1-1/8" x 7/8" or smaller. <b>Hoshizaki America, Inc., ice machines with crescent-style shape ice cubes are not compatible with MDH-302 or MDH-402 dispensers with integrated Ice Crusher.</b>	
<b>Graphic Area Dimensions</b>	<b>Physical trim</b> 12T: 42.625" W x 11" H / 108.3 W x 27.94 H (cm) 24T: 42.5" W x 23.813" H / 108.3 W x 60.49 H (cm) 34T: 42.5" W x 33.813" H / 108 W x 85.89 H (cm)	<b>Physical trim</b> 12T: 59.75" W x 11" H / 151.8 W x 108.3 H (cm) 24T: 59.75" W x 23.813" H / 151.8 W x 60.49 H (cm) 34T: 59.75" W x 33.813" H / 151.8 W x 85.89 H (cm)
	<b>Visual area</b> 12T: 41.745" W x 10" H / 106 W x 25.4 H (cm) 24T: 41.624" W x 22.875" H / 105.7 W x 58.1 H (cm) 34T: 41.875" W x 33.188" H / 106.4 W x 84.3 H (cm)	<b>Visual area</b> 12T: 59.125" W x 10.375" H / 150.2 W x 26.35 H (cm) 24T: 59.125" W x 23.188" H / 150.2 W x 23.188 H (cm) 34T: 59.125" W x 32.813" H / 150.2 W x 83.35 H (cm)
<b>Manifold</b>	2-1-1-2 Flexible left to right	16 Valve 2-1-1-1-3 Flexible left to right 20 Valve 3-1-2-1-3 Flexible left to right
<b>Options</b>	Other options include; water lever, carbonator, regulator and installation kits. Ice machine adaptor kits, 24" (60.96 cm) and 34" (86.36 cm) extended merchandiser, black merchandiser and splash panel.	



3492B ©2008 Servend 10108 Continuing product improvement may necessitate change of specifications without notice.



*We are committed to protecting the environment and its resources. For up-to-date product data always view an electronic version on our web site.*



Look for the EnergyMizer™ mark and you'll know you're getting the most from every energy dollar spent on foodservice equipment.  
[www.energymizer.com](http://www.energymizer.com)



MANITOWOC BEVERAGE EQUIPMENT, INC.  
2100 Future Drive  
Sellersburg, IN 47172, USA  
Ph: 812-246-7000 • Fax: 812-246-7024  
Visit us online at [www.manitowocbeverage.com](http://www.manitowocbeverage.com)

